

Special Troops Battalion,
1st Brigade Combat Team,
82nd Airborne Division,
A-4-265 / A-6-291

Beret Flash



Description/Blazon

A shield-shaped embroidered item with a semi-circular base 2 1/4 inches (5.72 cm) in height and 1 7/8 inches (4.76 cm) in width overall divided diagonally from upper right to lower left teal blue over ultramarine blue edged with an inner 1/8 inch (.32 cm) teal blue border and an outer 1/4 inch (.64 cm) yellow border. The beret flash was approved on 23 December 2010. It was amended to change the shade of yellow on 5 April 2011. (TIOH Dwg. No. A-4-265)

Background Trimming

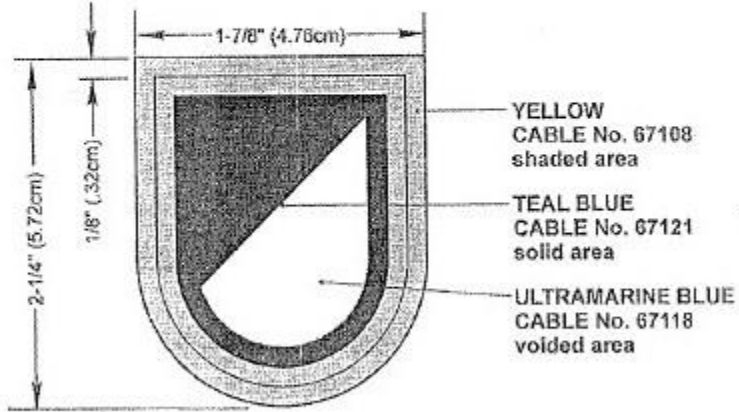


Description/Blazon

An ultramarine blue oval-shaped embroidered item 1 3/8 inches (3.49 cm) in height and 2 1/4 inches (5.72 cm) in width overall edged with an inner 1/8 inch (.32 cm) teal blue border and a yellow 1/4 inch (.64 cm) outer border. The background trimming was approved on 23 December 2010. It was amended to change the shade of yellow on 5 April 2011. (TIOH Dwg. No. A-6-291)

REVISIONS

| LTR | DESCRIPTION | DATE | APPROVED |
|-----|-------------|------|----------|
|-----|-------------|------|----------|



DESIGNED FOR OVEREDGE STITCHING

| | | | | | |
|--|----------|----------------------------------|------|---|------------------------|
| UNLESS OTHERWISE SPECIFIED DIMENSIONS ARE IN INCHES TOLERANCES ON FRACTIONS DECIMALS ANGLES | | | | THE INSTITUTE OF HERALDRY, DEPARTMENT OF THE ARMY 9325 GUNSTON RD, RM S-113 FORT BELVOIR, VA 22060-5579 | |
| | EXAMINED | TLC | | BERET FLASH FOR SPECIAL TROOPS BATTALION 1ST BRIGADE COMBAT TEAM 82ND AIRBORNE DIVISION | |
| | CHECKED | pm | SAO | SIZE | CONTROL IDENT. NO |
| | PREPARED | R | | A | 22571 |
| MATERIALS: TO BE MANUFACTURED IN ACCORDANCE WITH MIL-DTL-14652 | APPROVED | CHARLES V. MAGNO DIRECTOR | | A-4-265 | |
| | | SCALE | FULL | DATE | 8 DECEMBER 2010 |